

**PRODUCT NAME:**

PRERINSE SPGLP 8BSELH

**MODEL:**

- 73333 6" SWING SPOUT W/ LEVER HANDLES
- 73334 8" SWING SPOUT W/ LEVER HANDLES
- 73335 10" SWING SPOUT W/ LEVER HANDLES
- 73336 12" SWING SPOUT W/ LEVER HANDLES
- 73337 14" SWING SPOUT W/ LEVER HANDLES
- 73338 16" SWING SPOUT W/ LEVER HANDLES

**OPTIONS OR MODIFICATIONS:**

- SUPPLY LINES (24" OR 36") CIRCLE LENGTH
- IN-LINE DUAL CHECK VALVE
- BRUSH
- HANDLES (CROSS OR WRIST) CIRCLE STYLE
- VANDAL RESISTANT KIT
- OTHER ELBOWS

**FEATURES**

**MAIN CONTROL VALVE**

- \* 8" C/C BACKSPLASH MOUNT
- \* INTERNAL SPRING LOADED CHECK VALVES
- \* SWIVELLING SEAT DISKS
- \* HOT SIDE STEM - RIGHT HAND CHECK
- \* COLD SIDE STEM - LEFT HAND CHECK
- \* STAINLESS STEEL SEATS, SEAT SCREWS, AND HANDLE SCREWS

**HOSE**

- \* 25 1/2" LENGTH
- \* STAINLESS STEEL END FITTINGS
- \* STAINLESS STEEL EXTERNAL JACKET
- \* 3-PLY FIBER REINFORCED INTERNAL RUBBER HOSE
- \* REPAIRABLE IN-FIELD WITH SIMPLE TOOLS

**ULTRA SPRAY VALVE**

- \* LOWEST ENERGY USER - 1.15 GPM @ 60 PSI
- \* CLEANS FASTER - TEST PROVEN
- \* ENGINEERED TO LAST - NO 'O' RINGS TO LEAK
- \* INTERCHANGEABLE - FITS ALL BRANDS

**WAL BRACKET**

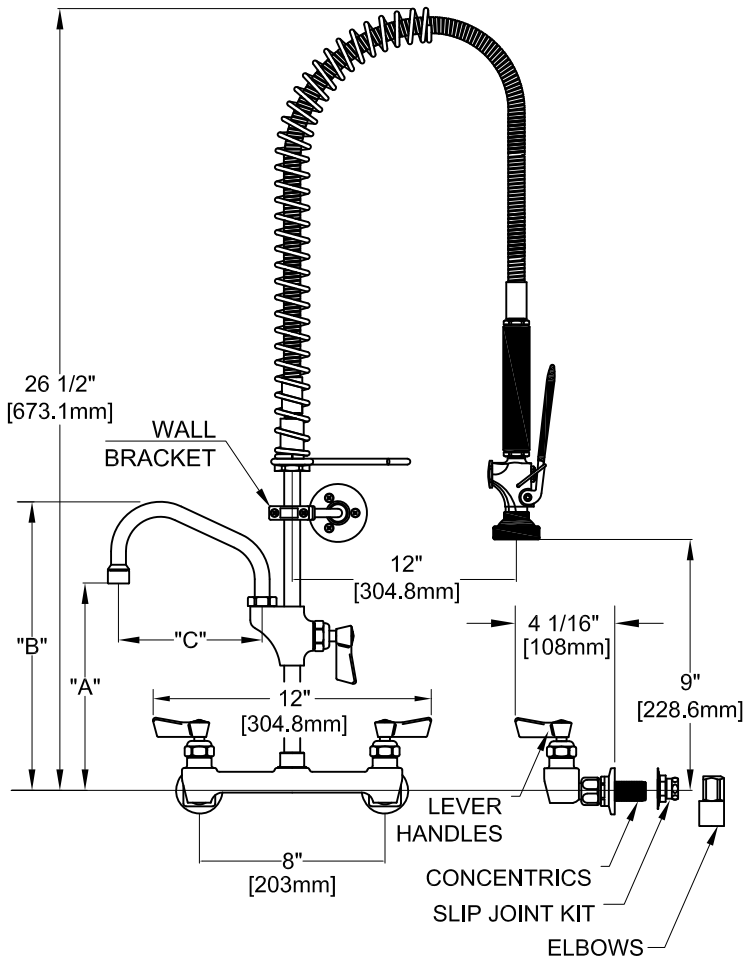
- \* ADJUSTS FROM 2" TO 12"

**SYSTEM LIMITS**

- \* TEMP: 40°F MIN. TO 160°F MAX.
- \* PRESSURE: 200 PSI MAX. STATIC

**SHIPPING WEIGHT**

- \* 15.0 LBS



ROUGH-IN	MODEL	DIM "A"	DIM "B"	DIM "C"
	73333	8-3/4" [221mm]	12-3/8" [313mm]	6" [152mm]
	73334	9" [228mm]	12-7/8" [326mm]	8" [203mm]
	73335	9-5/8" [244mm]	13-3/8" [340mm]	10" [254mm]
	73336	10-1/4" [259mm]	13-7/8" [351mm]	12" [305mm]
	73337	10-5/8" [275mm]	14-3/4" [374mm]	14" [356mm]
	73338	11-1/2" [292mm]	15-3/8" [390mm]	16" [406mm]



FISHER MANUFACTURING COMPANY  
 TOLL FREE: 800-421-6162 - FAX: 800-832-8238  
 information@fisher-mfg.com - www.fisher-mfg.com

