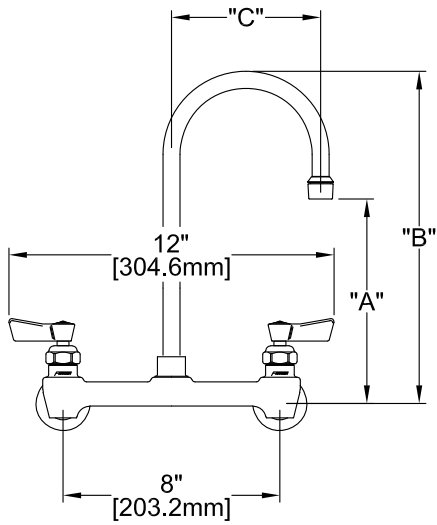
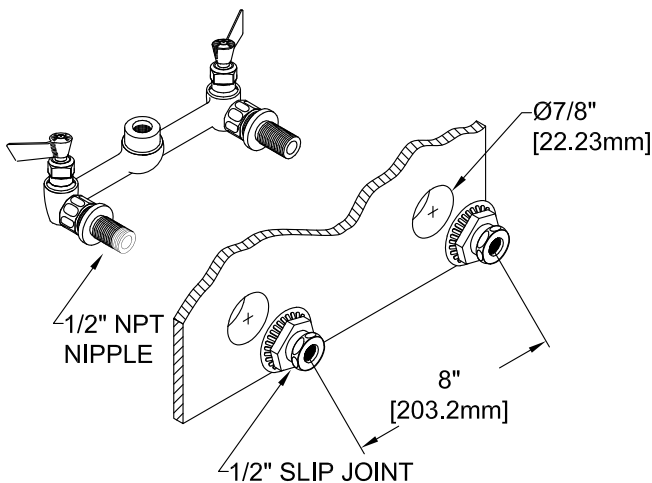


Customer/Wholesaler:	Date:	Job Name:	Model Specified:	Quantity:
Contractor:		Architect/Engineer:		



MODEL	DIM "A"	DIM "B"	DIM "C"
13307	8-1/4" [209.6mm]	12-1/4" [311.2mm]	5-1/2" [139.7mm]
73440	8-1/4" [209.6mm]	12-1/4" [311.2mm]	5-1/2" [139.7mm]
13293	4-1/2" [114.3mm]	8-1/16" [204.8mm]	3-1/2" [88.90mm]
73441	4-1/2" [114.3mm]	8-1/16" [204.8mm]	3-1/2" [88.90mm]

ROUGH-IN:



MODEL:

- 13307 FAUCET 8BSLH 12RGN PER 2.20 GPM
- 73440 FAUCET 8BSLH 12RGN PCA SPRAY 0.35 GPM
- 13293 FAUCET 8BSLH 06RGN PER 2.20 GPM
- 73441 FAUCET 8BSLH 06RGN PCA SPRAY 0.35 GPM

OPTIONS OR MODIFICATIONS:

- OTHER _____

FFEATURES

CONTROL VALVE

- * 8" C/C BACKSPLASH MOUNT
- * SWIVELLING SEAT DISKS
- * HOT SIDE STEM - RIGHT HAND
- * COLD SIDE STEM - LEFT HAND
- * STAINLESS STEEL SEATS
- * STAINLESS STEEL SEAT SCREWS
- * STAINLESS STEEL HANDLE SCREWS
- * 1/2" SLIP JOINT

SYSTEM LIMITS

- * TEMP: 40°F MIN. TO 160°F MAX.
- * PRESSURE: 200 PSI MAX. STATIC
- * 2.20 GPM AT 60 PSI (8.3L/min @ 410 kPa)
- * 0.35 GPM AT 60 PSI (1.3 L/min @410 KPa)

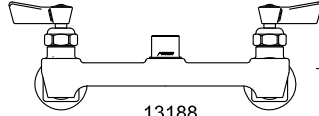
SHIPPING WEIGHT

- * 5.0 LBS

PRODUCT COMPLIANCE:

- * ASME A112.18.1 / CSA B125.1
- * NSF 61 - Section 9
- * NSF 372 (Low Lead Content)

Replacement Parts for Backsplash Mount Faucets



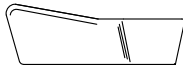
13188
8" BACKSPLASH CONTROL VALVE



2000-7500
SCREW



2000-8000
RED BUTTON
AND
2000-8001
BLUE BUTTON



LEVER HANDLE



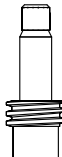
2000-3002
BIBB CAP



73657
DUCK GASKET



2000-5000
WASHER



3000-0010
LH SWIVEL STEM
OR
3000-0011
RH SWIVEL STEM

2000-5003
SEAT WASHER

1000-7502
SCREW

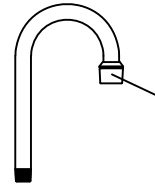


73521
LUBE

2000-0002
LEVER HANDLE KIT

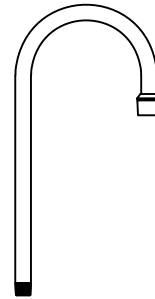
3000-0000
RH SWIVEL STEM
REPAIR KIT
OR
3000-0001
LH SWIVEL STEM
REPAIR KIT

3966
6" RIGID
GOOSENECK SPOUT



12564
2.20 GPM
AERATOR
OR
74223
0.35 GPM
AERATOR

3969
12" RIGID
GOOSENECK SPOUT



2200-5000
CONCENTRIC
GASKET

CONCENTRIC
1/2" RC

3200-2306
FLANGE

73794
1/2" SLIP JOINT
KIT

22594
CONCENTRIC
KIT