

APPLICATION:

PRODUCT NAME:  
 STAINLESS STEEL 7" DJ SUB ASSEMBLE

JOB NAME:

SPECIAL CONFIGURATION  
 CHECK BASE MODEL AND OPTIONS

QUANTITY:

ITEM NO.

MODEL:  
 54461

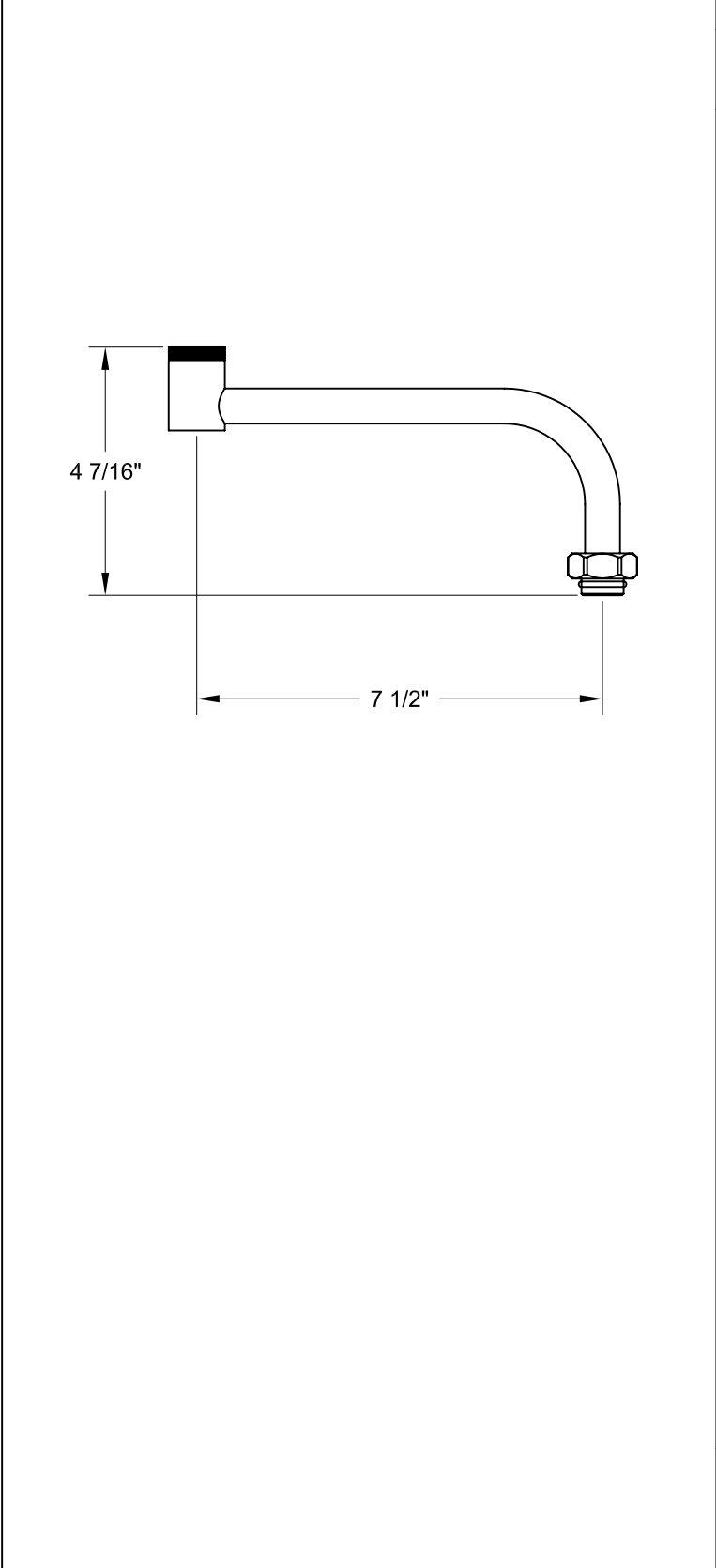
OPTIONS OR MODIFICATIONS:  
 OTHER \_\_\_\_\_

FEATURES

SYSTEM LIMITS  
 \* TEMP: 40°F MIN. TO 140°F MAX.  
 \* PRESSURE: 100 PSI MAX. STATIC

SHIPPING WEIGHT  
 \* .75 LBS

\* NSF 61-9 APPROVED & LISTED  
[www.truesdail.com](http://www.truesdail.com)



ANSI/A112.18.1M

**FISHER**  
 FISHER MANUFACTURING COMPANY  
 TOLL FREE: 800-421-6162 - FAX: 800-832-8238  
[information@fisher-mfg.com](mailto:information@fisher-mfg.com) - [www.fisher-mfg.com](http://www.fisher-mfg.com)