

APPLICATION:

PRODUCT NAME:
SS ULTRA SPRAY VALVE PLUS

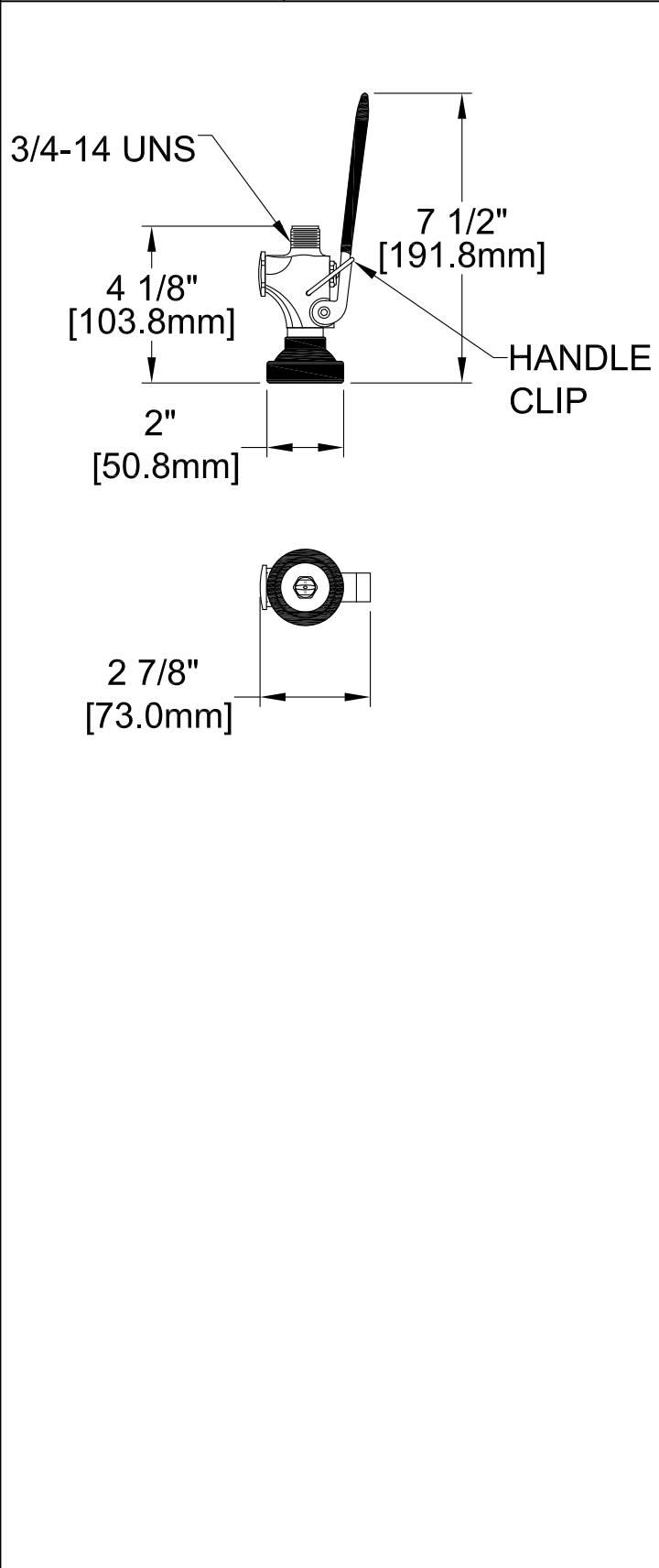
JOB NAME:

MODEL:

QUANTITY:

ITEM NO.:

- 71307 W/ 1.15 GPM NOZZLE
- 10197 W/ .70 GPM NOZZLE



OPTIONS OR MODIFICATIONS:

OTHER _____

FEATURES

- SS ULTRA SPRAY VALVE PLUS**
- * LOWEST ENERGY USER - 1.15 GPM @ 60 PSI
 - * CLEANS FASTER - TEST PROVEN
 - * ENGINEERED TO LAST - NO 'O' RINGS TO LEAK
 - * INTERCHANGEABLE - FITS ALL BRANDS
- SS ULTRA SPRAY VALVE PLUS 7**
- * LOWEST ENERGY USER - .70 GPM @ 60 PSI
 - * CLEANS FASTER - TEST PROVEN
 - * ENGINEERED TO LAST - NO 'O' RINGS TO LEAK
 - * INTERCHANGEABLE - FITS ALL BRANDS

- SYSTEM LIMITS**
- * TEMP: 40°F MIN. TO 160°F MAX.
 - * PRESSURE: 200 PSI MAX. STATIC
 - * 1.15 GPM AT 60 PSI

SHIPPING WEIGHT

- * 1.5 LBS

- PRODUCT COMPLIANCE:**
- * ASME A112.18.1 / CSA B125.1
 - * NSF 61 - Section 9
 - * NSF 372 (Low Lead Content)
 - * 2019 DOE PRSV - Class II & Class I



FISHER MANUFACTURING COMPANY
TOLL FREE: 800-421-6162 - FAX: 800-832-8238
information@fisher-mfg.com - www.fisher-mfg.com