

APPLICATION:

PRODUCT NAME:
SUPPLY LINES

JOB NAME:

MODEL:

QUANTITY:

ITEM NO.:

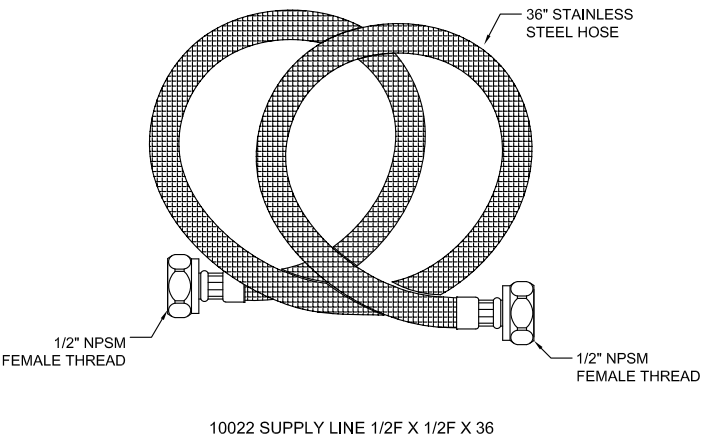
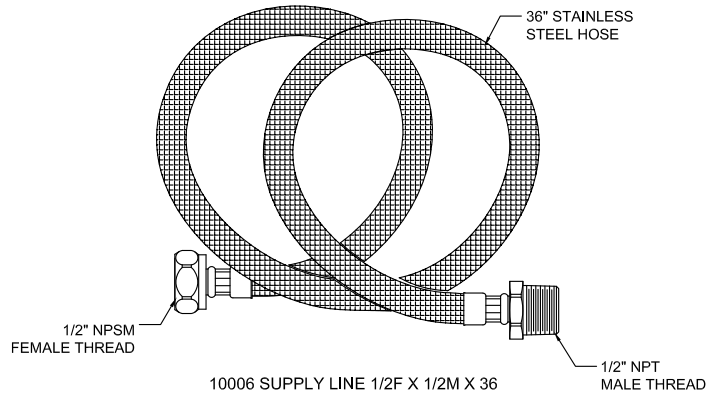
- 10006 SUPPLY LINE 1/2F X 1/2M X 36
- 10022 SUPPLY LINE 1/2F X 1/2F X 36

OPTIONS OR MODIFICATIONS:
 OTHER _____

- FEATURES**
- * 36" HOSE LENGTH
 - * BRAIDED STAINLESS STEEL COVER

- SYSTEM LIMITS**
- * TEMP: 40°F MIN. TO 160°F MAX.
 - * PRESSURE 200 PSI MAX. STATIC

- SHIPPING WEIGHT**
- * 0.50 LBS



FISHER MANUFACTURING COMPANY
 TOLL FREE: 800-421-6162 - FAX: 800-832-8238
 information@fisher-mfg.com - www.fisher-mfg.com