

Quickly and Easily Solve Old-Style "Pop-Up" Drain Problems with the Advanced DrainKing™ from Fisher.

In today's competitive market, many foodservice operators overlook one of the most important components in their operation... the drain valve.

Every commercial kitchen has one or more multi-compartment stainless steel sinks...whether it's for prep, ware washing, or general service... and many of these sinks are fitted with "cheap" pop-up style drains that can cost you big.

The Strain of an Unsecured Strainer

Pop-up drains typically feature an unsecured strainer that over time can become misplaced or lost. As a result garbage will collect around the pop-up mechanism and clog its operation.

Now, the operator will typically use a utensil to push the garbage through the blockage, damaging the frail "O" ring that seals the poorly designed pop-up drain.

Don't forget the Sewer...

And pushing large chunks of garbage matter through the drain runs the risk of causing a blockage - a potentially expensive problem.

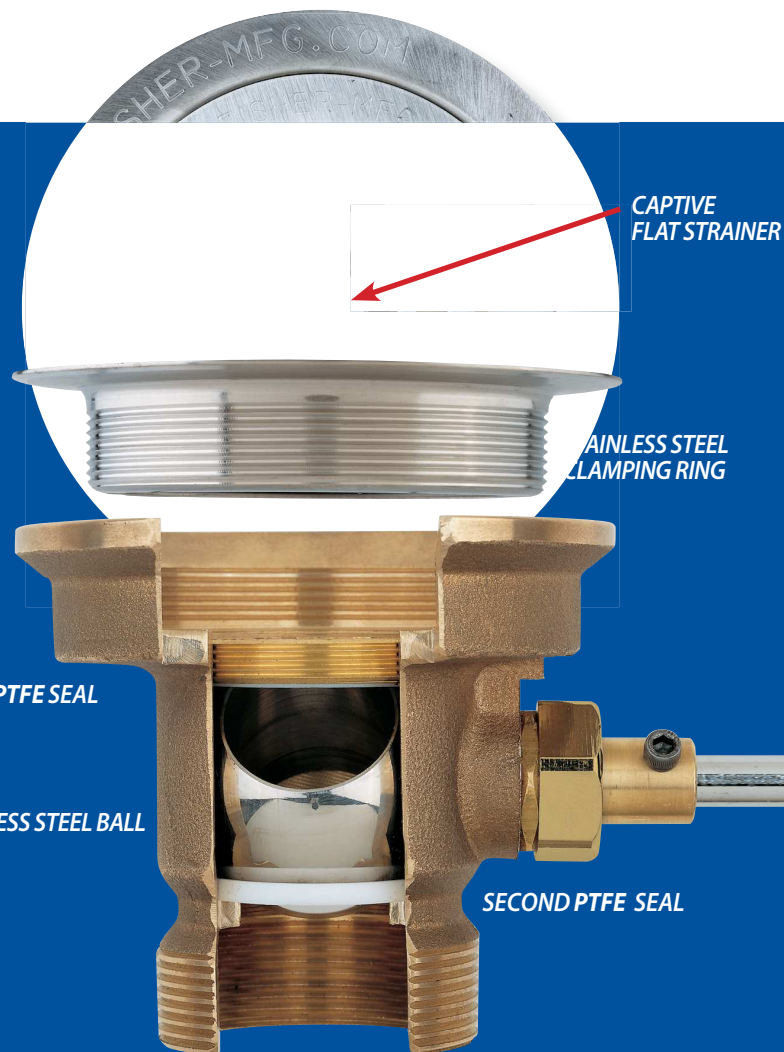
The Damage is Done.

The damaged "O" ring will cause the pop-up drain to leak and the sink will be unable to hold water. This effectively stops the proper THREE step cleaning process as required by the Health Department - "Wash... Rinse... Sanitize".



**Now, a routine
Health Department
inspection
can land the
operator in very
hot water.**

**ENJOY LESS STRAIN FROM YOUR DRAIN,
WITH THE DRAINING™**



**All of this caused by a Pop-Up Drain Valve
with an unsecured strainer.
Here's how the DrainKing solves the problem**

POP-UP DRAIN PROBLEM	DRAINING SOLUTION
Unsecured strainer becomes lost or misplaced	Vandal-resistant flat strainer is locked in place
Garbage builds around drain at bottom of sink	Strainer keeps debris clear; No Cam mechanism to further obstruct opening
Garbage is forced through drain with utensil damaging "O" Ring	Stainless Steel Rotary Ball with No "O" Rings
Drain Leaks; Sink won't hold water	Dual PTFE Seals ensure against leaking

Advantage - DrainKing

- It's a "Ball Valve" for your sink!
- Stainless Steel Rotary Ball – not a "pop-up"
- 1/4 Turn Fully Opens and Closes Valve
- Clear-Through Opening – no need to disassemble for snaking
- Extra Sturdy Stainless Steel Clamping Ring – industry standard sealing angle
- Solid "Red" Brass Body – provides long service life
- 2" NPT Male / 1-1/2" NPT Female Connections – no adapters required

When was the last time you saw a Ball Valve leak?

Find out more.

Ask your foodservice dealer, plumbing professional or call us today!

Toll-Free: 800-421-6162

FISHER
MANUFACTURING COMPANY
Commercial Faucets Since 1936
www.fisher-mfg.com

DRAINING™
Stainless Steel. Only where it counts.

19197 - 1M - 07/16