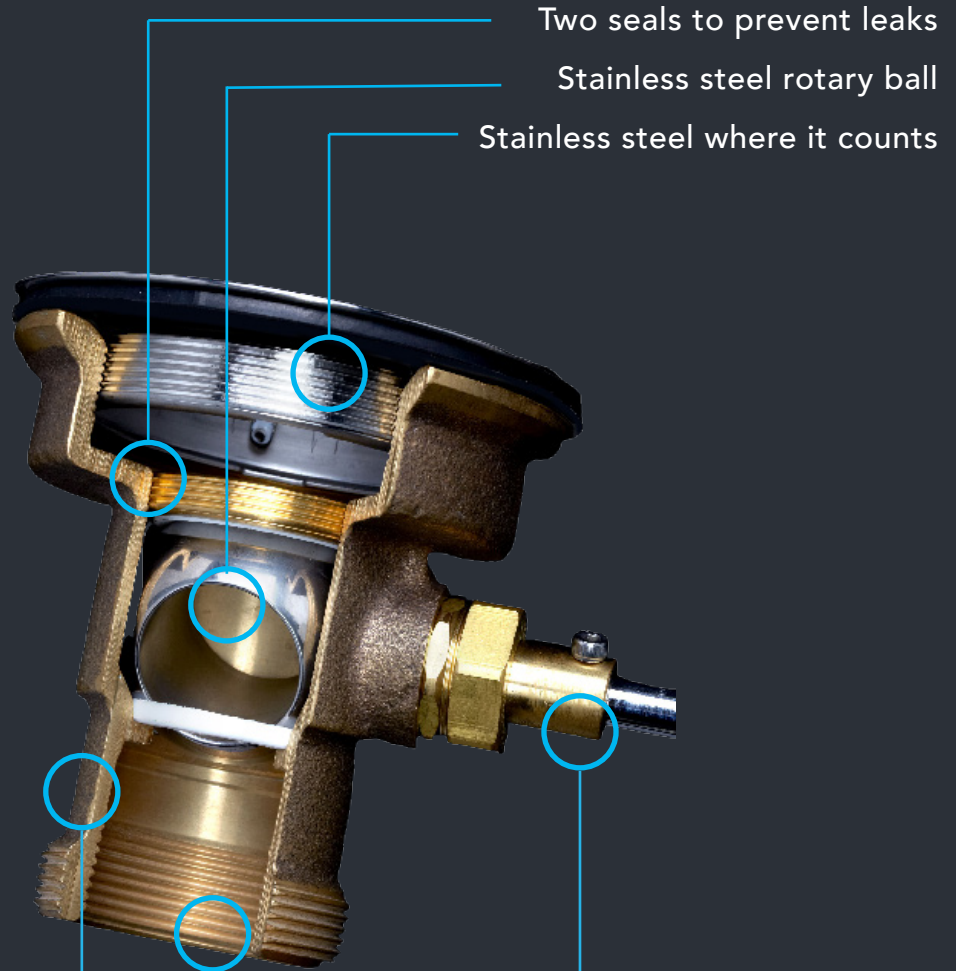


# DRAINING



Two seals to prevent leaks

Stainless steel rotary ball

Stainless steel where it counts

Solid brass body

2" NPT Male & 1- 1/2" NPT Female outlet threads  
so no adapters are required.

1/4 turn fully opens and closes valve



## DRAINING

Elevating the standard for all drains in the industry, the Fisher DrainKing is above them all. The DrainKing uses the twist mechanism you're most familiar with to open and close a ball valve instead of the pop-up mechanism with O-rings that eventually deteriorate. The Stainless Steel rotary ball valve is an innovative solution that is virtually leak proof. Two sized threads are used at the connection, which means no need for any additional adapters. Engineered for unparalleled durability, reliability and longevity to provide you with the quality your operation needs.

