

APPLICATION:

PRODUCT NAME:
 VACUUM BREAKER AS 1/2 SGL WALL

JOB NAME:

SPECIAL CONFIGURATION
 CHECK BASE MODEL AND OPTIONS

QUANTITY:

ITEM NO.

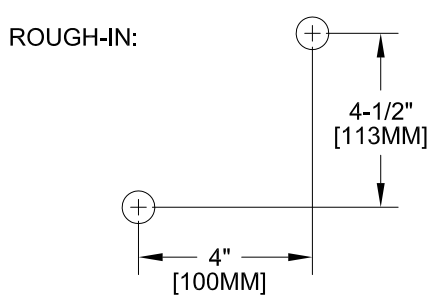
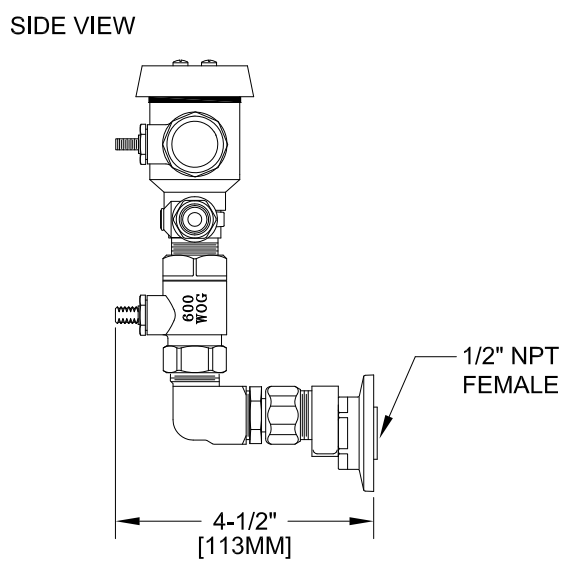
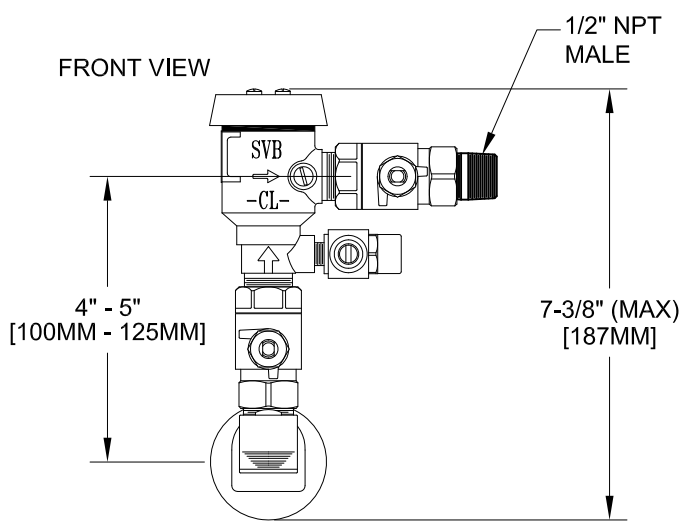
MODEL:
 73255

OPTIONS OR MODIFICATIONS:
 OTHER _____

FEATURES

- * SPILL RESISTANT
 - * ASSE - 1056 APPROVED
 - * 1/2" NPT FEMALE INLET
 - * 1/2" NPT MALE OUTLET
- SYSTEM LIMITS
- * TEMP: 33°F MIN. TO 180°F MAX.
 - * PRESSURE: 150 PSI MAX. STATIC

SHIPPING WEIGHT
 * 4.0 LBS



ANSI/A112.18.1M

FISHER
 FISHER MANUFACTURING COMPANY
 TOLL FREE: 800-421-6162 - FAX: 800-832-8238
 information@fisher-mfg.com - www.fisher-mfg.com