

APPLICATION:

JOB NAME:

QUANTITY: ITEM NO.

PRODUCT NAME:

VACUUM BREAKER A DECK

_____ SPECIAL CONFIGURATION
CHECK BASE MODEL AND OPTIONS

MODEL:

3991

3126 W/ 6" RIGID GOOSENECK SPOUT

OPTIONS OR MODIFICATIONS:

OTHER _____

FEATURES:

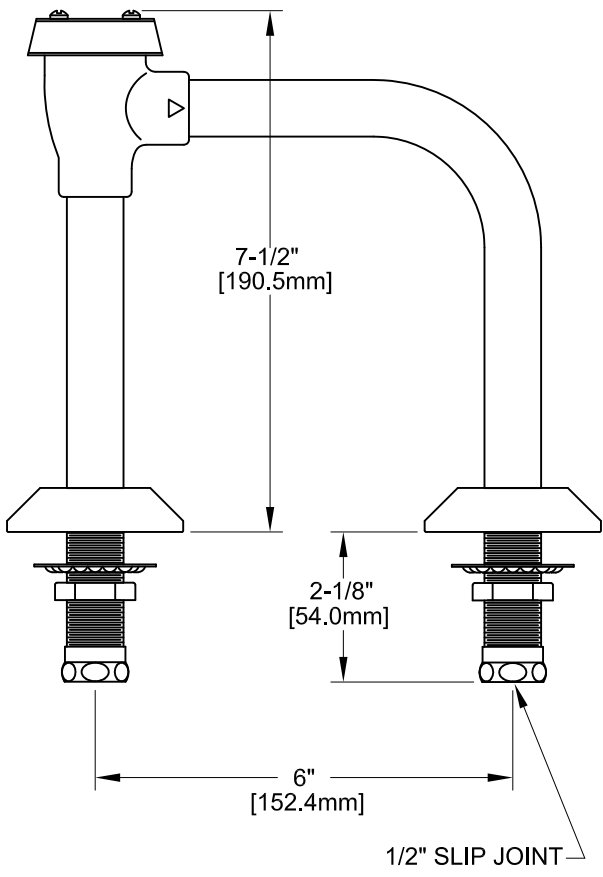
- * ATMOSPHERIC VACUUM BREAKER
- * DECK MOUNT

SYSTEM LIMITS

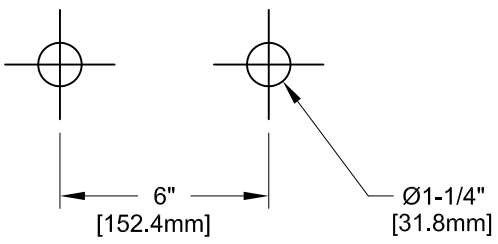
- * TEMP: 40°F MIN. TO 140°F MAX.
- * PRESSURE 200 PSI MAX. STATIC

SHIPPING WEIGHT

- * 3.5 LBS



ROUGH-IN:



FISHER
FISHER MANUFACTURING COMPANY
TOLL FREE: 800-421-6162 - FAX: 800-832-8238
information@fisher-mfg.com - www.fisher-mfg.com