

REPAIR KITS/PARTS

JOB NAME:

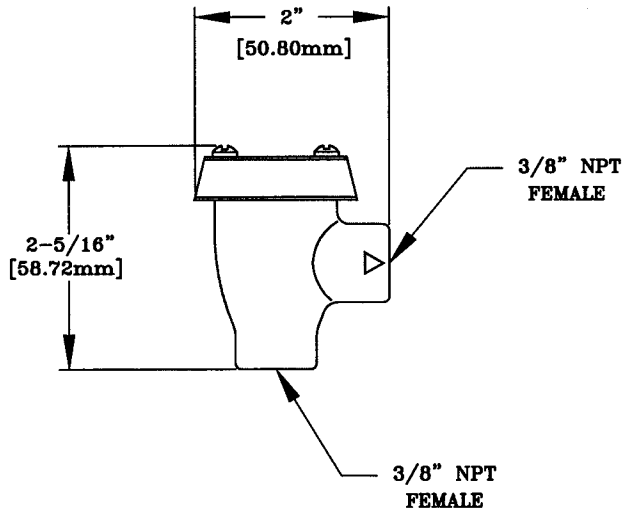
QUANTITY:

ITEM NO.:

SPEC. 2932-8002 REV. "A"

PRODUCT NAME:

VACUUM BREAKER A 3/8



_____ SPECIAL CONFIGURATION
(CHECK BASE MODEL AND OPTIONS)

MODEL:

2932-8002

OPTIONS OR MODIFICATIONS:

OTHER _____

FEATURES:

* ATMOSPHERIC VACUUM BREAKER

RECOMMENDED SETTINGS

* 2.2 GPM MAX. AT 80 PSI

SYSTEM LIMITS

* TEMP: 40°F MIN. TO 140°F MAX.

* PRESSURE 100 PSI MAX. STATIC

SHIPPING WEIGHT

* .5 LBS

ANSI/A112.18.1M